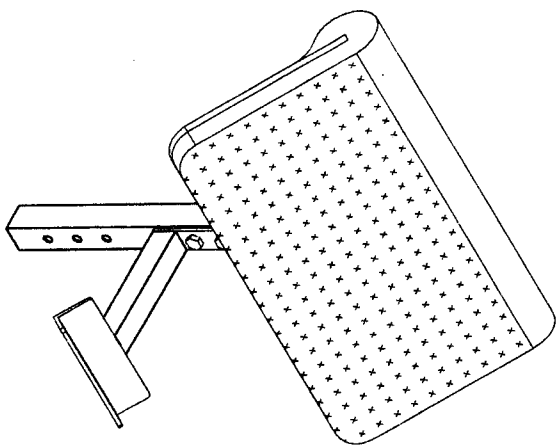


PCA-1

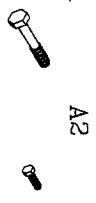



VERSION 0007

HARDWARE ILLUSTRATION SHEET

- | | | | |
|-----|---------------------------|-------|--------|
| A1. | 1/2"x2 3/4" HEX HEAD BOLT | ----- | [2PCS] |
| A2. | 5/16"x1" HEX HEAD BOLT | ----- | [2PCS] |
| B1. | 1/2" NYLON LOCK NUT | ----- | [2PCS] |
| C1. | 1/2" (I.D.) WASHER | ----- | [2PCS] |
| C2. | 5/16" WASHER | ----- | [2PCS] |
| C3. | 5/16" SPRING WASHER | ----- | [2PCS] |

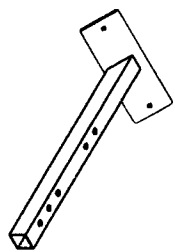
Qty.



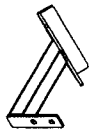
- | | | |
|----|----|----|
| A1 | A2 | |
| B1 | | |
| C1 | C2 | C3 |
- 

PARTS ILLUSTRATION SHEET

A [1PCS]



B [1PCS]



C [1PCS]

